



# **AD-360X2**

# **Parts Manual**

## **Phase 5 / Coin**

---

**American Dryer Corporation**  
88 Currant Road  
Fall River MA 02720-4781 USA  
Telephone: +1 (508) 678-9000 / Fax: +1 (508) 678-9447  
e-mail: techsupport@amdry.com

[www.adclaundry.com](http://www.adclaundry.com)

# Retain This Manual In A Safe Place For Future Reference

American Dryer Corporation products embody advanced concepts in engineering, design, and safety. If this product is properly maintained, it will provide many years of safe, efficient, and trouble free operation.

**ONLY qualified technicians should service this equipment.**

**OBSERVE ALL SAFETY PRECAUTIONS** displayed on the equipment or specified in the installation manual included with the dryer.

The following “**FOR YOUR SAFETY**” caution must be posted near the dryer in a prominent location.

## FOR YOUR SAFETY

Do not store or use gasoline or other flammable vapors and liquids in the vicinity of this or any other appliance.

## POUR VOTRE SÉCURITÉ

Ne pas entreposer ni utiliser d'essence ni d'autres vapeurs ou liquides inflammables à proximité de cet appareil ou de tout autre appareil.

We have tried to make this manual as complete as possible and hope you will find it useful. ADC reserves the right to make changes from time to time, without notice or obligation, in prices, specifications, colors, and material, and to change or discontinue models.

## Important

For your convenience, log the following information:

DATE OF PURCHASE \_\_\_\_\_ MODEL NO. **AD-360X2**  
RESELLER'S NAME \_\_\_\_\_  
Serial Number(s) \_\_\_\_\_  
\_\_\_\_\_  
\_\_\_\_\_

Replacement parts can be obtained from your reseller or the ADC factory. When ordering replacement parts from the factory, you can FAX your order to ADC at (508) 678-9447 or telephone your order directly to the ADC Parts Department at (508) 678-9000. Please specify the dryer model number and serial number in addition to the description and part number, so that your order is processed accurately and promptly.

The illustrations on the following pages may not depict your particular dryer exactly. The illustrations are a composite of the various dryer models. Be sure to check the descriptions of the parts thoroughly before ordering.

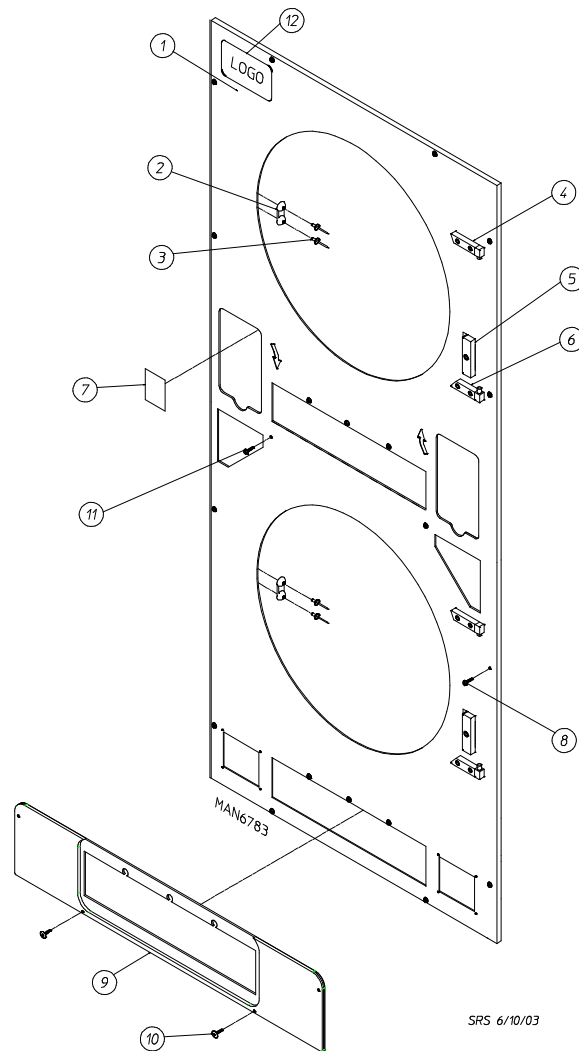
### **“IMPORTANT NOTE TO PURCHASER”**

Information must be obtained from your local gas supplier on the instructions to be followed if the user smells gas. These instructions must be posted in a prominent location near the dryer.

# Table of Contents

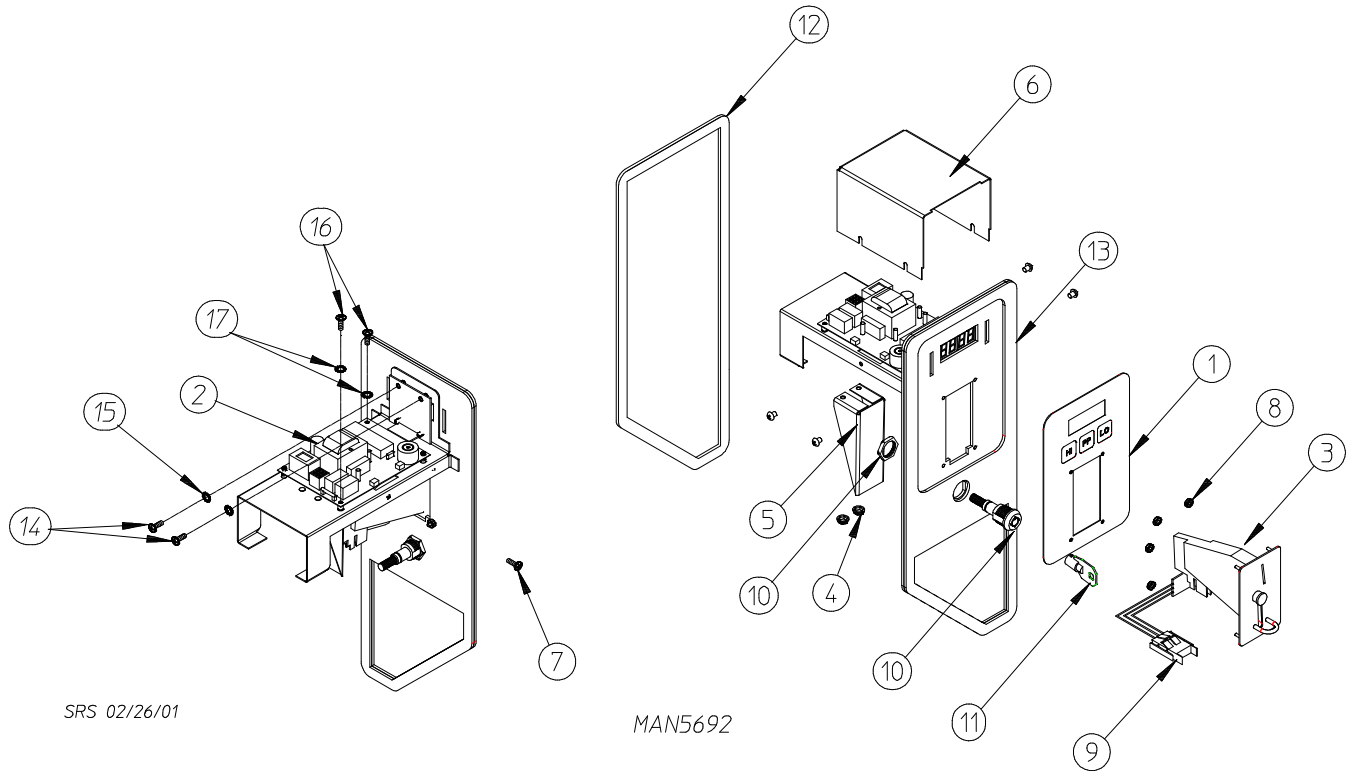
Front Panel Assembly .....	4
Right Coin Computer Panel Type II .....	5
Left Coin Computer Panel Type II .....	6
Coin Chute Assembly .....	7
Coin Box / Vault Assembly (Left and Right) .....	8
Main Door "Steel" Assembly .....	9
Main Door Switch Assembly .....	10
Tumbler / Support Assemblies .....	11
Top Locking Lint Basket Assembly .....	12
Bottom Locking Lint Basket Assembly .....	13
Separator Assembly .....	14
Rotational Sensor / Sail Switch and Teflon® Backup Washer Plate .....	15
Lint Coop and Adjustment Wheel Bracket Assembly .....	16
Left Rear Wheel Bracket (3-Bolt) .....	17
Right Rear Wheel Bracket (3-Bolt) .....	18
Microprocessor Temperature Sensor Bracket Assembly .....	19
Top Burner Box Assembly .....	20
Bottom Burner Box Assembly .....	21
Blower Motor Assembly .....	22
Rear Electrical Panel .....	23
Drive Motor / Motor Mount Assemblies .....	24
Exhaust Duct Assembly .....	25
Rear Back Guard Assembly .....	26
Wrapper Gasket .....	27

# Front Panel Assembly



SRS 6/10/03

<u>Illus. No.</u>	<u>Part No.</u>	<u>Qty.</u>	<u>Description</u>
1	883144	1	White Right Hand Front Panel Assembly (includes illus. nos. 1 through 3 and 7)
	883149	1	Bisque Right Hand Front Panel Assembly (includes illus. nos. 1 through 3 and 7)
	883159	1	Stainless Steel Right Hand Front Panel Assembly (includes illus. nos. 1 through 3 and 7)
2	881987	2	Friction Door Latch Kit (includes illus. nos. 2 and 3)
3	154215	4	5/32" x 1/4" Rivet
4	-----	1	Top Hinge Block Assembly <b>(refer to Main Door "Steel" Assembly on page 9)</b>
5	-----	1	Main Door Switch <b>(refer to Main Door Switch Assembly on page 10)</b>
6	-----	1	Bottom Hinge Block Assembly <b>(refer to Main Door "Steel" Assembly on page 9)</b>
7	354267	2	Arrow Backup Plate
8	150517	10	#10-16 x 1-1/2" Hex Head TEK Screw
9	882798	1	Black Kick Plate
10	150311	2	#10-16 x 3/4" Hex Head TEK Crimptite Screw
11	150309	8	#10-16 x 1/2" Hex Head TEK Screw
12	112301	1	ADC Logo

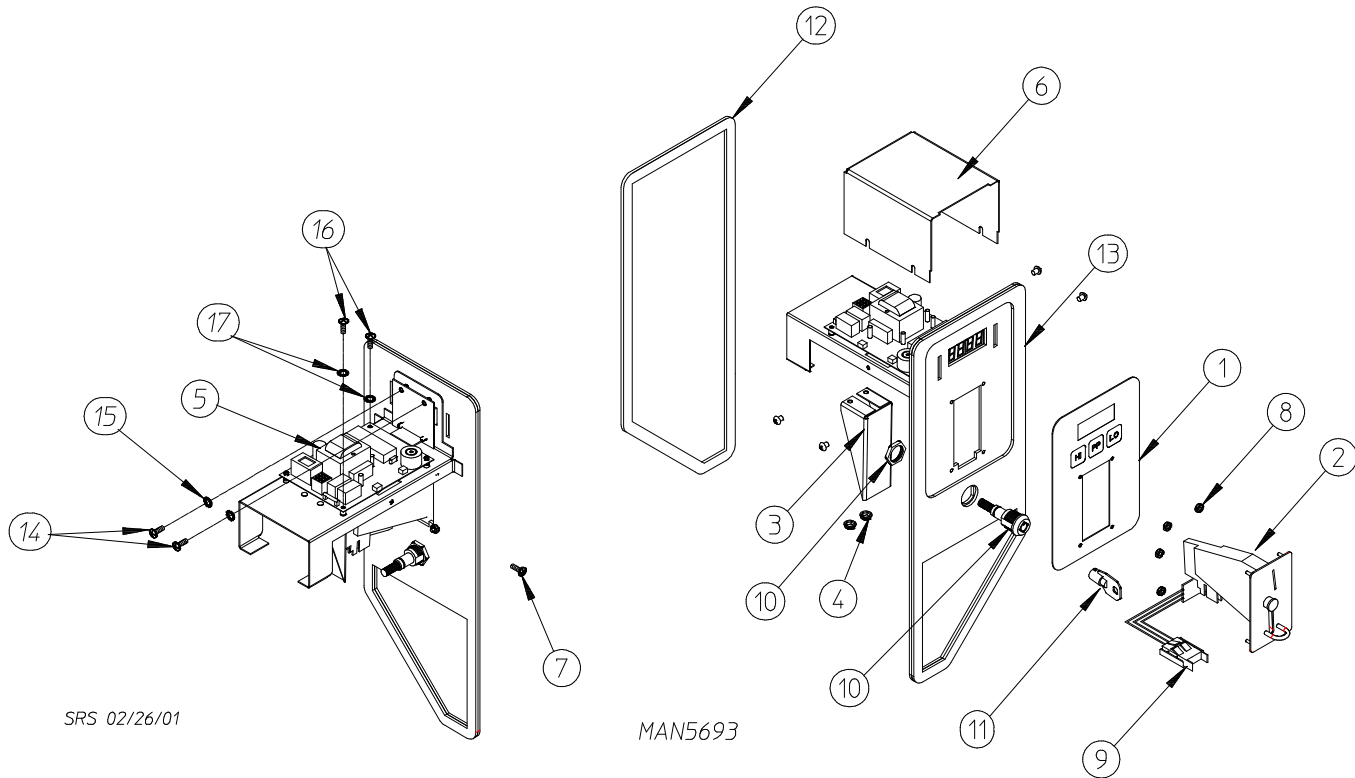


SRS 02/26/01

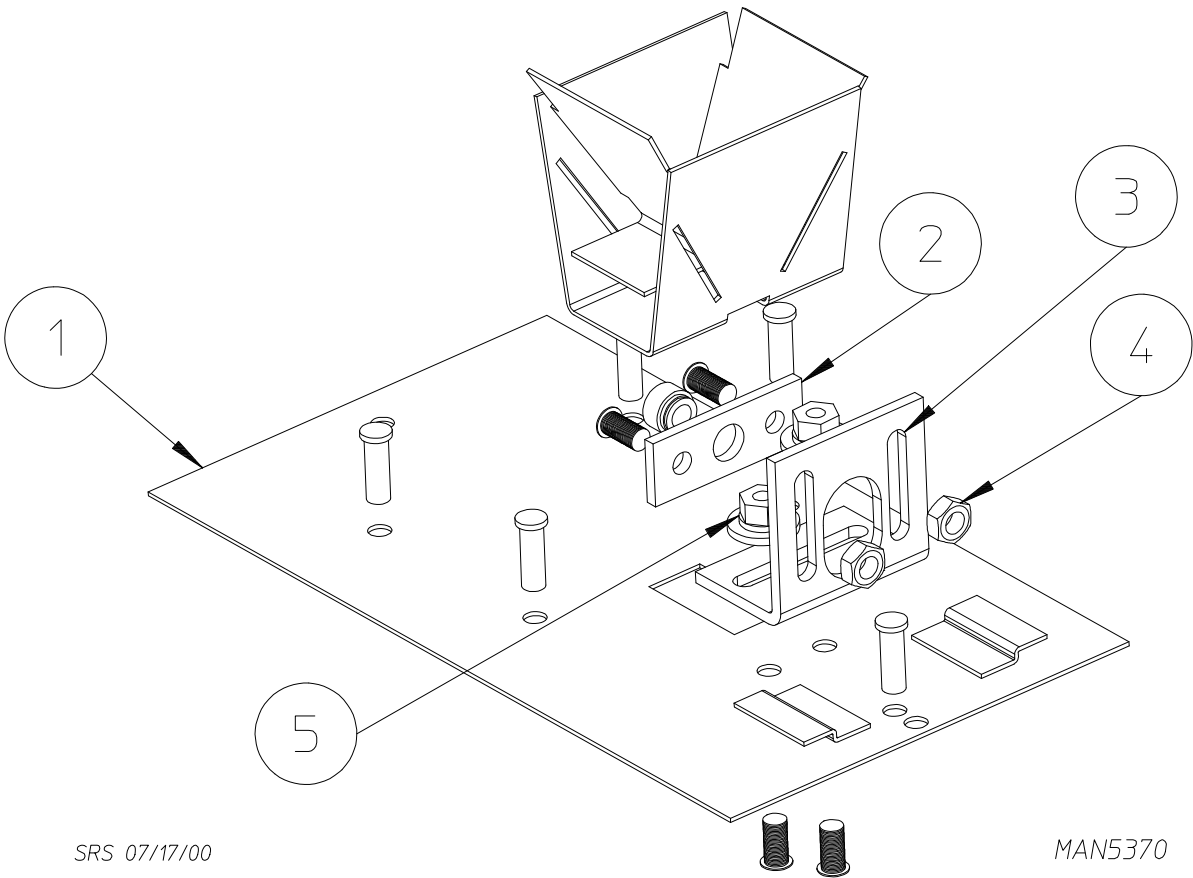
MAN5692

<u>Illus. No.</u>	<u>Part No.</u>	<u>Qty.</u>	<u>Description</u>
1	112574	1	Keypad
2	137251	1	Computer Board with Display
3	883134	1	25¢ U.S. Hanke Coin Acceptor with Optic Switch
4	151001	2	#8-32 Pal Nut
5	354192	1	Optic Switch Protector
6	354260	1	Computer Cover
7	150201	4	#10-32 x 1/4" Phillips Pan Head Tap Screw
8	150102	4	Hanke Acceptor M3 Metric Hex Nut
9	883067	1	Hanke Optic Switch Assembly
10	182621	1	Control Panel Lock with Key
11	182628	1	Key ONLY (specify key number when ordering)
12	117603	4	1/8" x 9/16" Noise Suppressor Tape
13	883019	1	Right Computer Panel ONLY Type II
14	150005	2	#6-32 x 1/4" Phillips Right Hand Machine Screw
15	153010	2	#6 Star Washer
16	150005	2	#6-32 x 1/4" Phillips Right Hand Machine Screw
17	153010	2	#6 Star Washer

# Left Coin Computer Panel Type II



<u>Illus. No.</u>	<u>Part No.</u>	<u>Qty.</u>	<u>Description</u>
1	112574	1	Keypad
2	883134	1	25¢ U.S. Hanke Coin Acceptor with Optic Switch
3	354192	1	Optic Switch Protector
4	151001	2	#8-32 Pal Nut
5	137251	1	Computer Board with Display
6	354260	1	Computer Cover
7	150201	4	#10-32 x 1/4" Phillips Pan Head Tap Screw
8	150102	4	Hanke Acceptor M3 Metric Hex Nut
9	883067	1	Hanke Optic Switch Assembly
10	182621	1	Control Panel Lock with Key
11	182628	1	Key ONLY (specify key number when ordering)
12	117603	4	1/8" x 9/16" Noise Suppressor Tape
13	883018	1	Left Computer Panel ONLY Type II
14	150005	2	#6-32 x 1/4" Phillips Right Hand Machine Screw
15	153010	2	#6 Star Washer
16	150005	2	#6-32 x 1/4" Phillips Right Hand Machine Screw
17	153010	2	#6 Star Washer



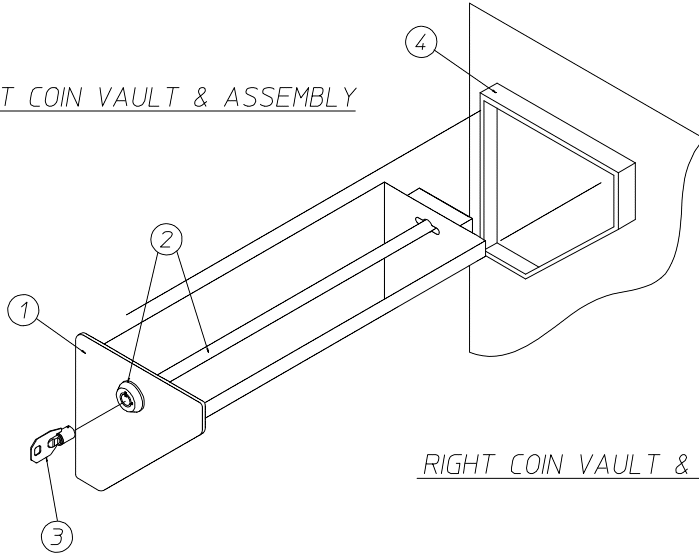
SRS 07/17/00

MAN5370

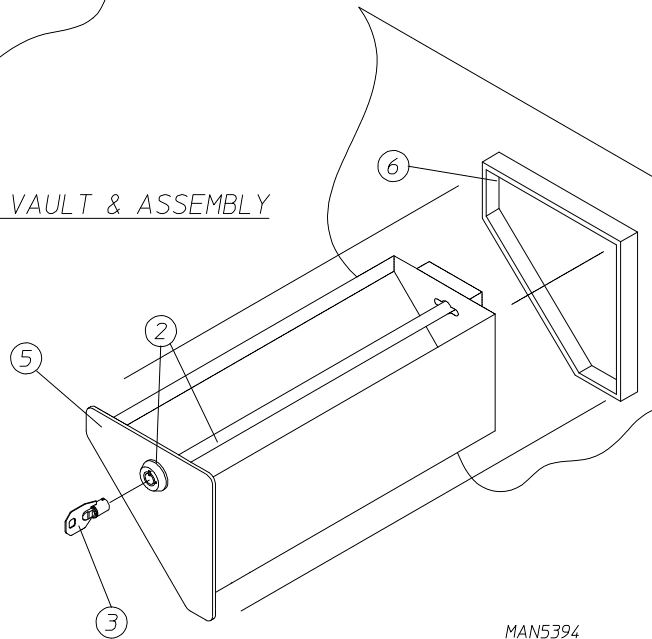
<u>Illus. No.</u>	<u>Part No.</u>	<u>Qty.</u>	<u>Description</u>
1	882715	1	Coin Chute
2	882937	1	Control Panel Lock Plate
3	354180	1	Control Panel Lock Bracket
4	152002	2	1/4-20 Hex Nut
5	152014	2	1/4-20 Free Spin Wash Nut

# Coin Box / Vault Assembly (Left and Right)

LEFT COIN VAULT & ASSEMBLY



RIGHT COIN VAULT & ASSEMBLY



SRS 07/25/00

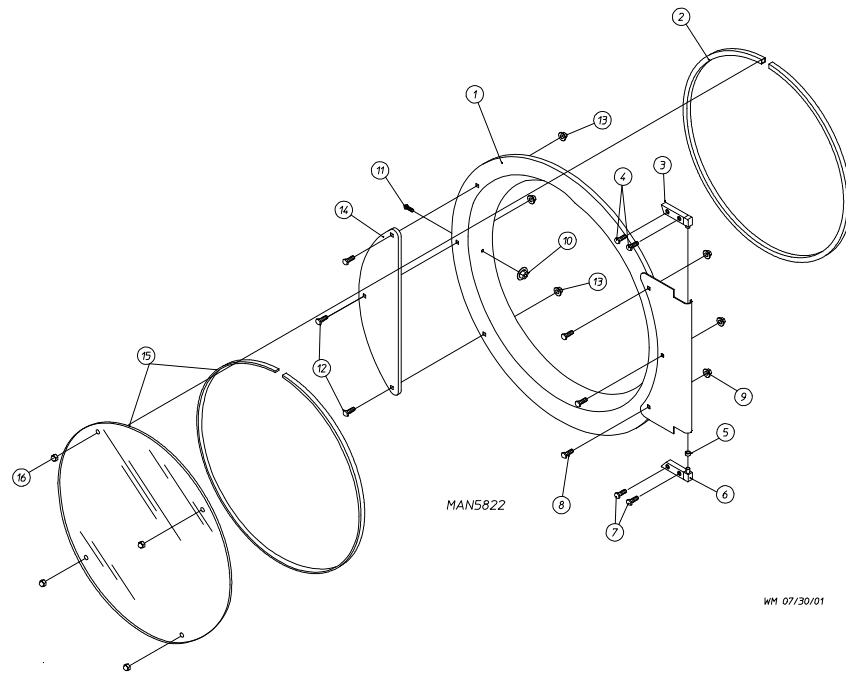
MAN5394

<u>Illus. No.</u>	<u>Part No.</u>	<u>Qty.</u>	<u>Description</u>
1	882740	1	Black Left / Right Coin Box Faceplate ONLY
	882745	1	Left Coin Box with Black Faceplate (less lock)
2	882672	1	Coin Box Lock Kit (includes 2 locks "keyed alike")
3	160136*	1	Coin Box Lock Key ONLY
4	882742	1	Black Left Coin Vault ONLY
5	882740	1	Black Left / Right Coin Box Faceplate ONLY
	882746	1	Right Coin Box with Black Faceplate (less lock)
6	882741	1	Black Right Coin Vault ONLY

\* Specify key number when ordering.

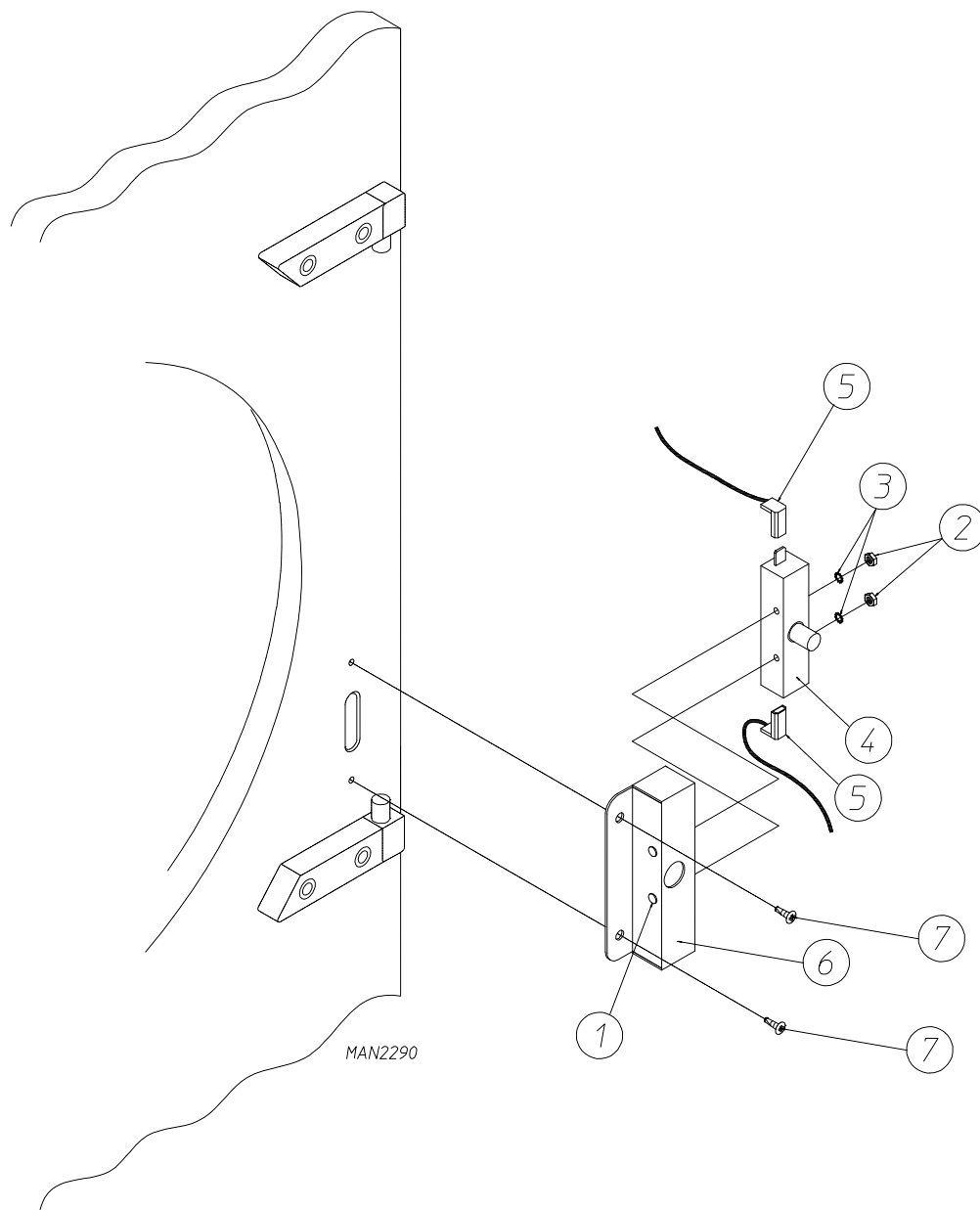


# Main Door "Steel" Assembly

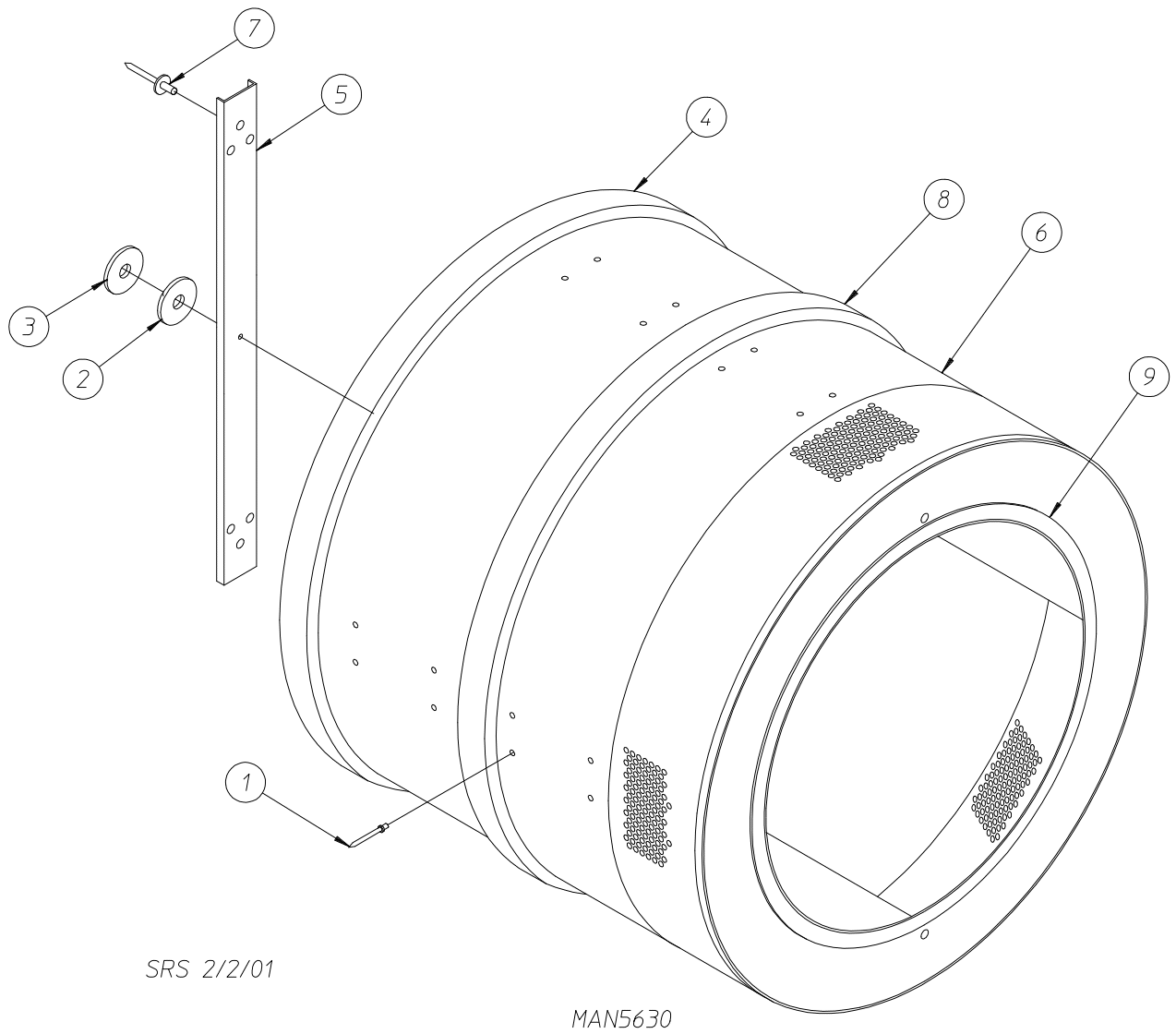


<u>Illus. No.</u>	<u>Part No.</u>	<u>Qty.</u>	<u>Description</u>
1	881150	1	Black Main Door Assembly Complete (includes illus. nos. 1, 2, and 8 through 15)
	881207	1	Stainless Steel Main Door Assembly Complete (includes illus. nos. 1, 2, and 8 through 15)
2	102354	1	Door Gasket
	170730	1	Clear Glass Adhesive (10.3 oz. cartridge)
	170731	1	Black Glass Adhesive (10.3 oz. cartridge)
3	881152	1	Black Top Hinge Block Assembly (includes illus. nos. 3 and 4)
	881208	1	Stainless Steel Top Hinge Block Assembly
4	150445	2	1/4-20 x 3/4" Black Cap Head Setscrew
5	153031	1	1/4" Nylon Washer
6	881151	1	Black Bottom Hinge Block Assembly (includes illus. nos. 5 through 7)
	881209	1	Stainless Steel Bottom Hinge Block Assembly
7	150445	2	1/4-20 x 3/4" Black Cap Head Setscrew
	150443	2	1/4-20 x 3/4" Stainless Steel Cap Head Setscrew
8	150683	3	1/4-20 x 5/8" Black Carriage Bolt
	150682	3	1/4-20 x 5/8" Stainless Steel Carriage Bolt (for models with stainless steel doors)
9	152014	3	1/4-20 Free Spin Wash Nut
10	151010	1	#10-32 Black Hex Acorn Nut
	151009	1	#10-32 Stainless Steel Hex Acorn Nut
11	150120	1	Door Latch Screw
12	150683	3	1/4-20 x 5/8" Black Carriage Bolt
	150682	3	1/4-20 x 5/8" Stainless Steel Carriage Bolt (for models with stainless steel doors)
13	152014	3	1/4-20 Free Spin Wash Nut
14	881210	1	Black Main Door Handle ONLY
	170333	1	Stainless Steel Main Handle ONLY
15	102218	1	20-7/16" Door Glass
	102360	1	Glass / Door Gasket Tape (for models mfd. as of February 9, 2001)
	170731	1	Black Glass Adhesive (10.3 oz. cartridge) (for models mfd. prior to February 9, 2001)
16	151013	4	#10-32 Black Nylon Acorn Nut

# Main Door Switch Assembly



<u>Illus. No.</u>	<u>Part No.</u>	<u>Qty.</u>	<u>Description</u>
1	153566	2	#6-32 x 7/8" Clinch Stud
2	152013	2	#6-32 Hex Nut
3	153010	2	#6 Star Washer
4	137005	1	Door Switch
5	122636	2	Flag Terminal
6	881211	1	Black Main Door Switch Housing ONLY
	353209	1	Stainless Steel Main Door Switch Housing ONLY
	881153	1	Black Main Door Switch Housing Complete (includes illus. nos. 1 through 4 and 6)
	800474	1	Stainless Steel Main Door Switch Housing Complete (includes illus. nos. 1 through 4 and 6)
7	150301	2	#8-18 x 7/16" Phillips Pan Head TEK Screw

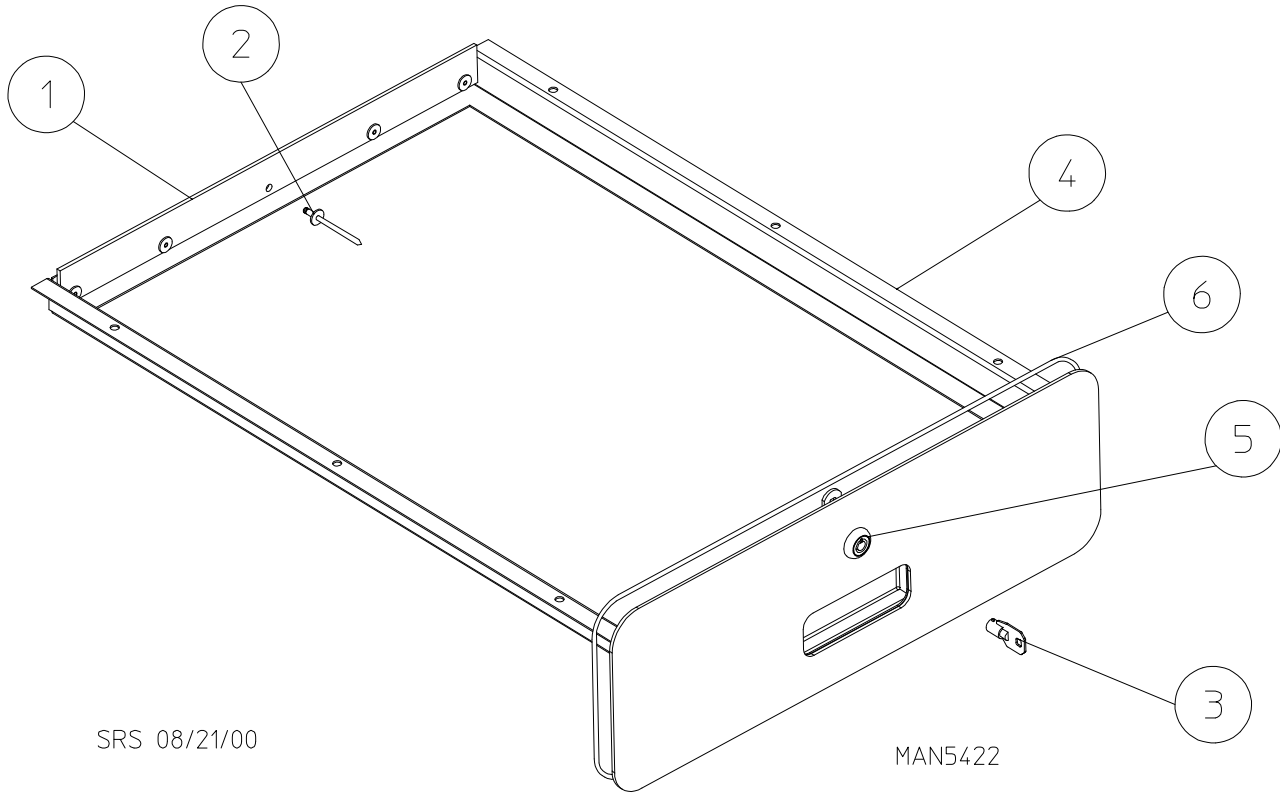


SRS 2/2/01

MAN5630

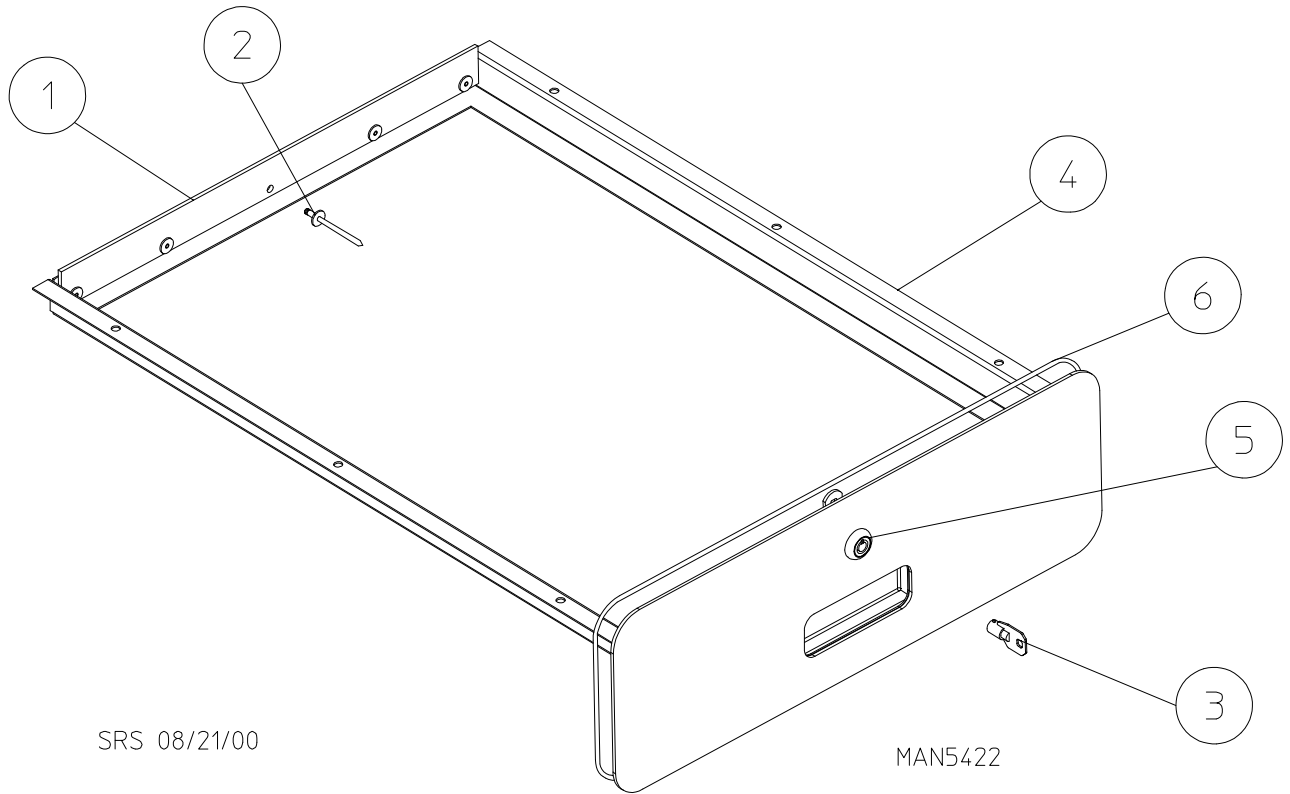
<u>Illus. No.</u>	<u>Part No.</u>	<u>Qty.</u>	<u>Description</u>
1	154210	40	5/32" x 3/16" Pop Rivet
2	354217	1	Spacer Plate
3	153048	1	Inner Friction Teflon® Pad
4	116332	1	94" x 2-1/2" x 1/8" Felt Collar
5	882765	1	One Arm Tumbler Support Assembly (includes illus. nos. 2, 3, and 5)
6	860101	1	One Arm Tumbler and Support Assembly Complete (includes illus. nos. 1 through 7 and 9)
7	154210	6	5/32" x 3/16" Pop Rivet
8	100191	1	12 Rib 105" Long (J) High Temperature Belt
9	115992	1	Inner Ring Felt Collar
	401010	1	#847 Adhesive for Felt Collar (5 oz. tube)

# Top Locking Lint Basket Assembly



<u>Illus. No.</u>	<u>Part No.</u>	<u>Qty.</u>	<u>Description</u>
1	115904	1	Lint Basket Felt
2	154210	5	5/32" x 3/16" Pop Rivet
3	160140	1	Key ONLY for XX4451
4	882787	1	Top Locking Lint Basket with Lock (white) (includes illus. nos. 1 through 5)
	882794	1	Top Locking Lint Basket with No Lock (bisque) (includes illus. nos. 1, 2, and 4)
5	160038	1	Lint Basket Lock with Cam (no key)
	160050	1	Lint Basket Lock (no cam and key) for Stainless Steel ONLY
6	117605	4	1/4" x 3/8" Neoprene Sponge Tape (sold by the foot)

## Bottom Locking Lint Basket Assembly

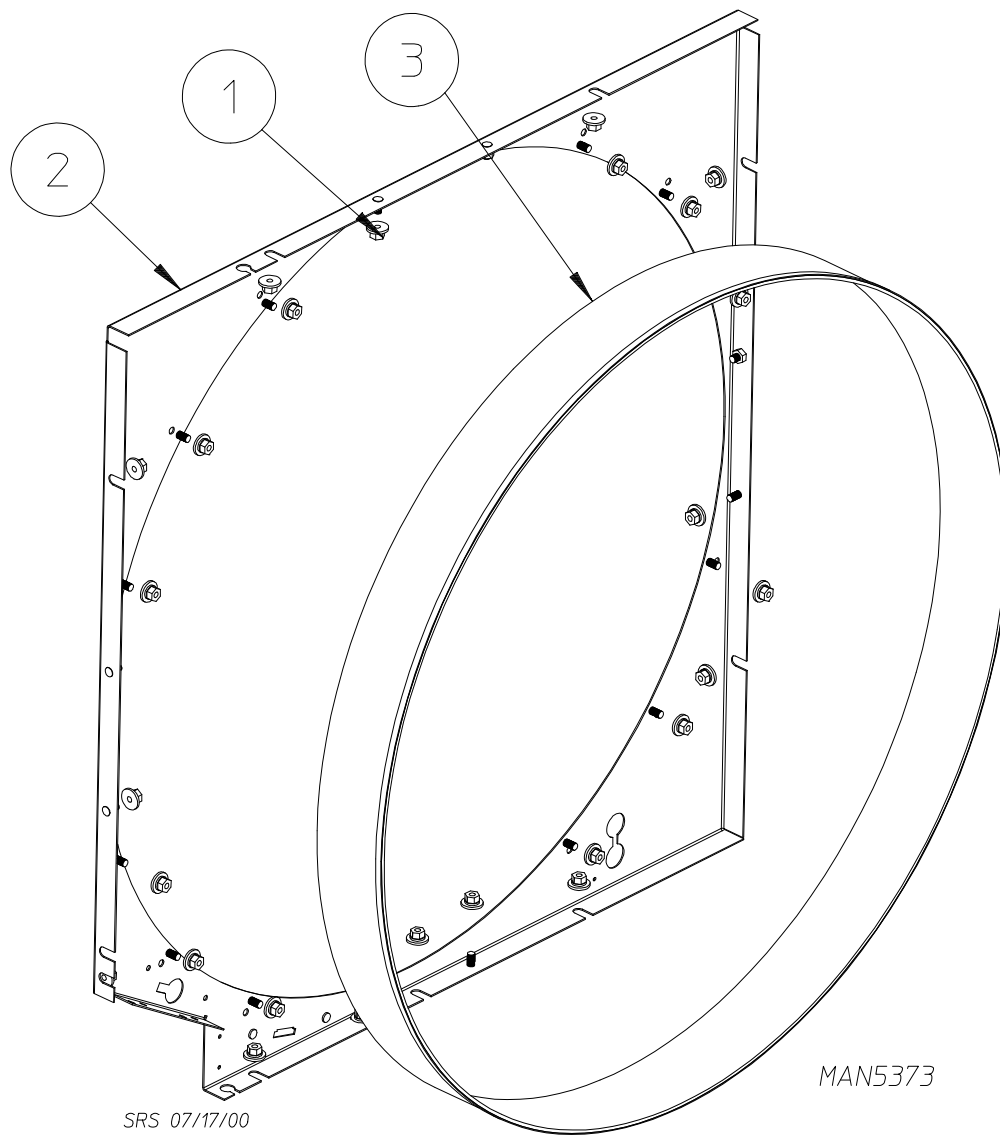


SRS 08/21/00

MAN5422

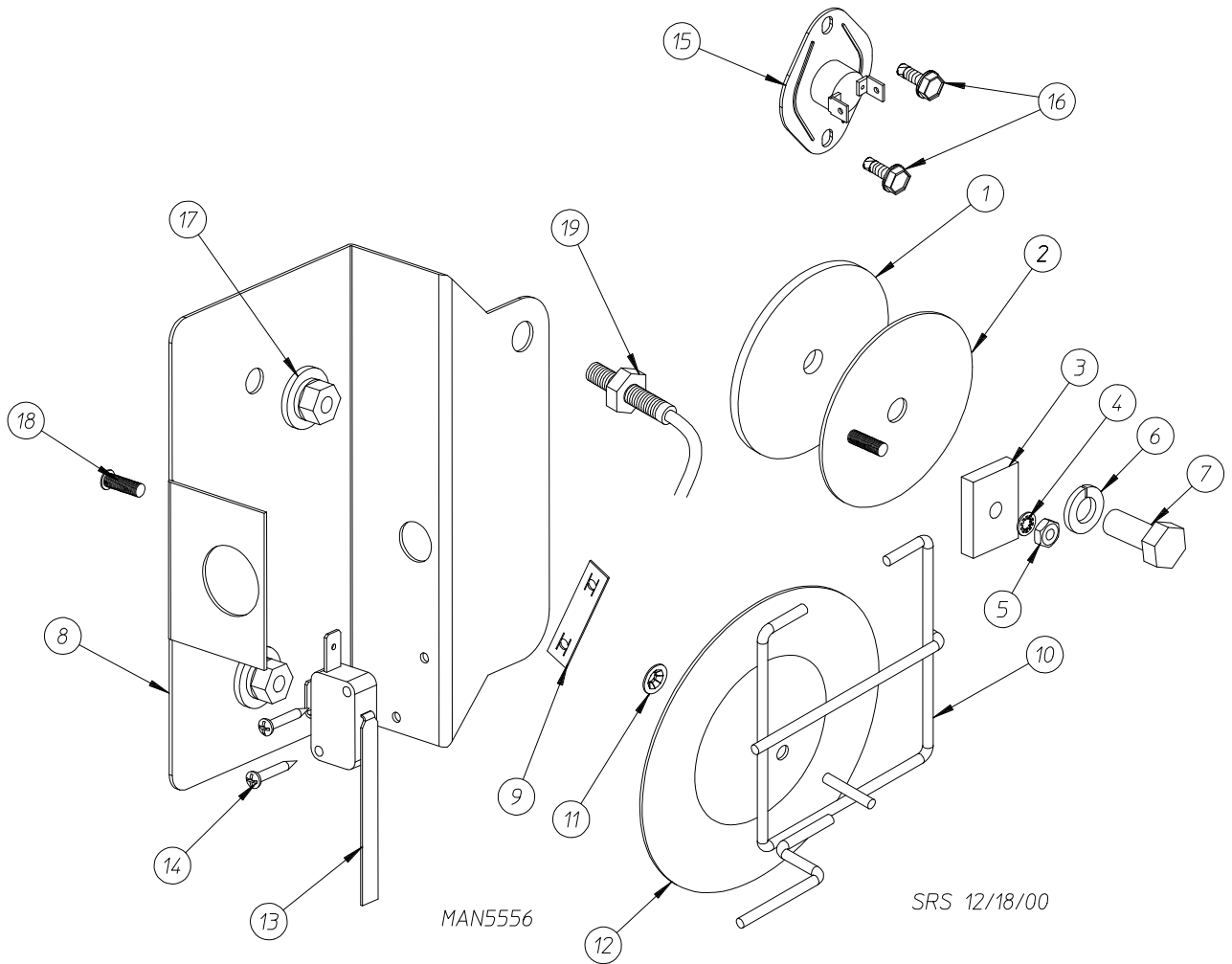
<u>Illus. No.</u>	<u>Part No.</u>	<u>Qty.</u>	<u>Description</u>
1	115904	1	Lint Basket Felt
2	154210	5	5/32" x 3/16" Pop Rivet
3	160140	1	Key ONLY for XX4451
4	882797	1	Bottom Locking Lint Basket Assembly with Lock (black) (includes illus. nos. 1 through 6)
	882796	1	Bottom Locking Lint Basket Assembly with No Lock (black) (includes illus. nos. 1, 2, 4, and 6)
5	160038	1	Lint Basket Lock with Cam (no key)
6	117604	4	1/8" x 3/8" Neoprene Sponge Tape (sold by the foot)

# Separator Assembly



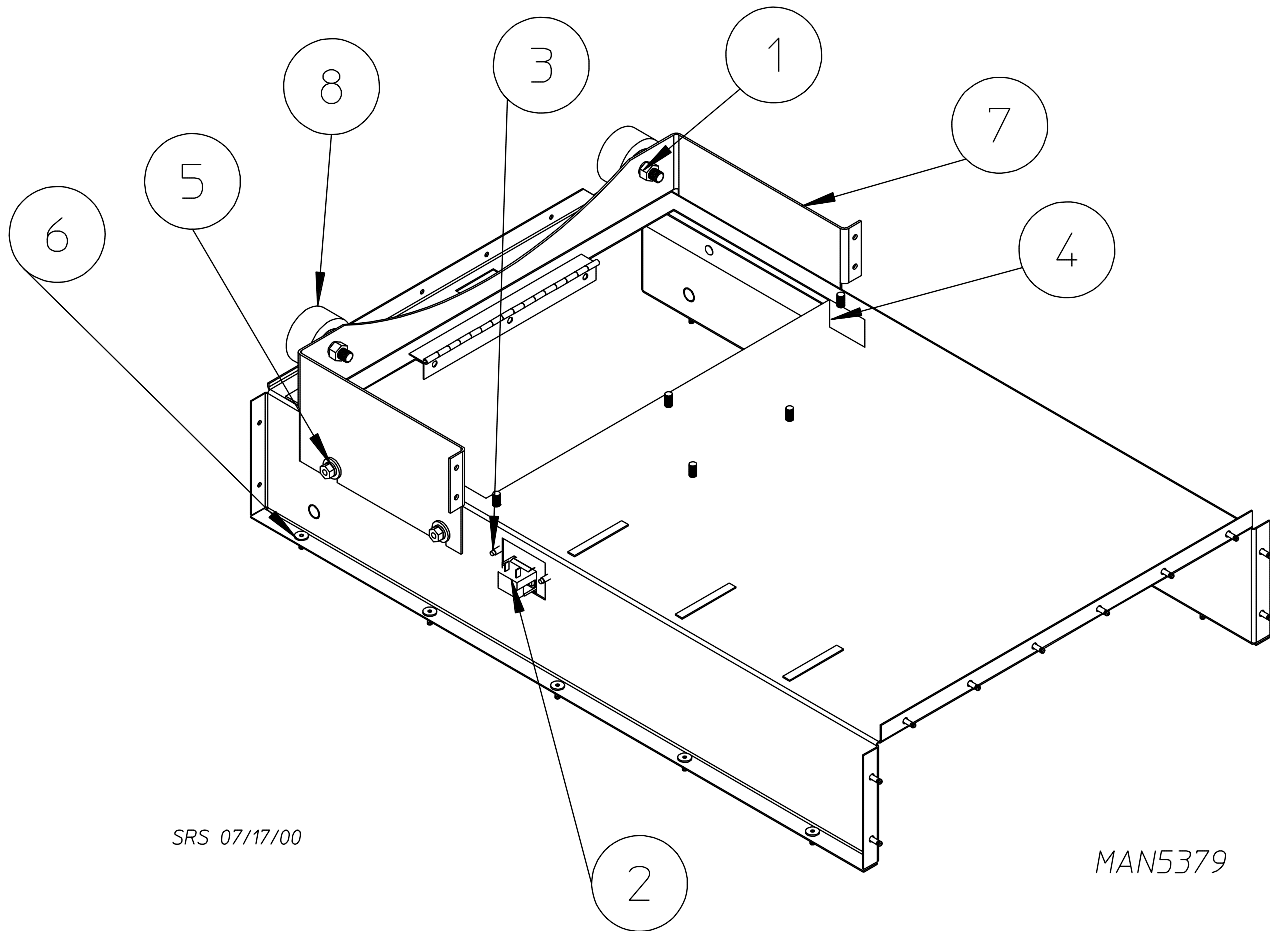
<u>Illus. No.</u>	<u>Part No.</u>	<u>Qty.</u>	<u>Description</u>
1	152014	18	1/4-20 Free Spin Wash Nut
2	882926	1	Inner Ring Separator Bracket
	882717	1	Inner Ring Separator Assembly (includes illus. nos. 1 through 3)
3	115903	1	Tumbler Separation Felt

# Rotational Sensor / Sail Switch and Teflon® Backup Washer Plate



<u>Illus. No.</u>	<u>Part No.</u>	<u>Qty.</u>	<u>Description</u>
1	882747	1	Teflon® Backup Washer and Magnet Assembly (includes illus. nos. 1 through 5)
	153047	1	Outer Friction Pad
2	354203	1	Teflon® Backup Washer
3	102102	1	Magnet
4	153012	1	#8 Internal Star Washer
5	152001	1	#8-32 x 3/8" Hex Nut
6	153002	1	5/16" Split Lock Washer
7	150501	1	5/16-18 x 3/4" Tap Bolt
8	882748	1	Sail Switch and Rotational Sensor Bracket (includes illus. nos. 8, 9, 13, 14, 17, and 18)
9	154004	1	Twin Speed Nut
10	105550	1	Sail Switch Rod
11	154002	1	1/8" Push-On Fastener
12	319206	1	Sail Switch Damper
13	122200	1	Sail Switch ONLY
14	150303	2	#4 x 3/4" Pan Head "A" Machine Screw
15	130102	1	190° Rear Tumbler Hi-Limit
16	150300	2	#10-16 x 1/2" Hex Washer TEK Screw
17	152014	2	1/4-20 Free Spin Wash Nut
18	153528	1	#8-32 x 1/2" Self-Clinching Stud
19	824807	1	Rotational Sensor Magnetic Reed Switch

# Lint Coop and Adjustment Wheel Bracket Assembly



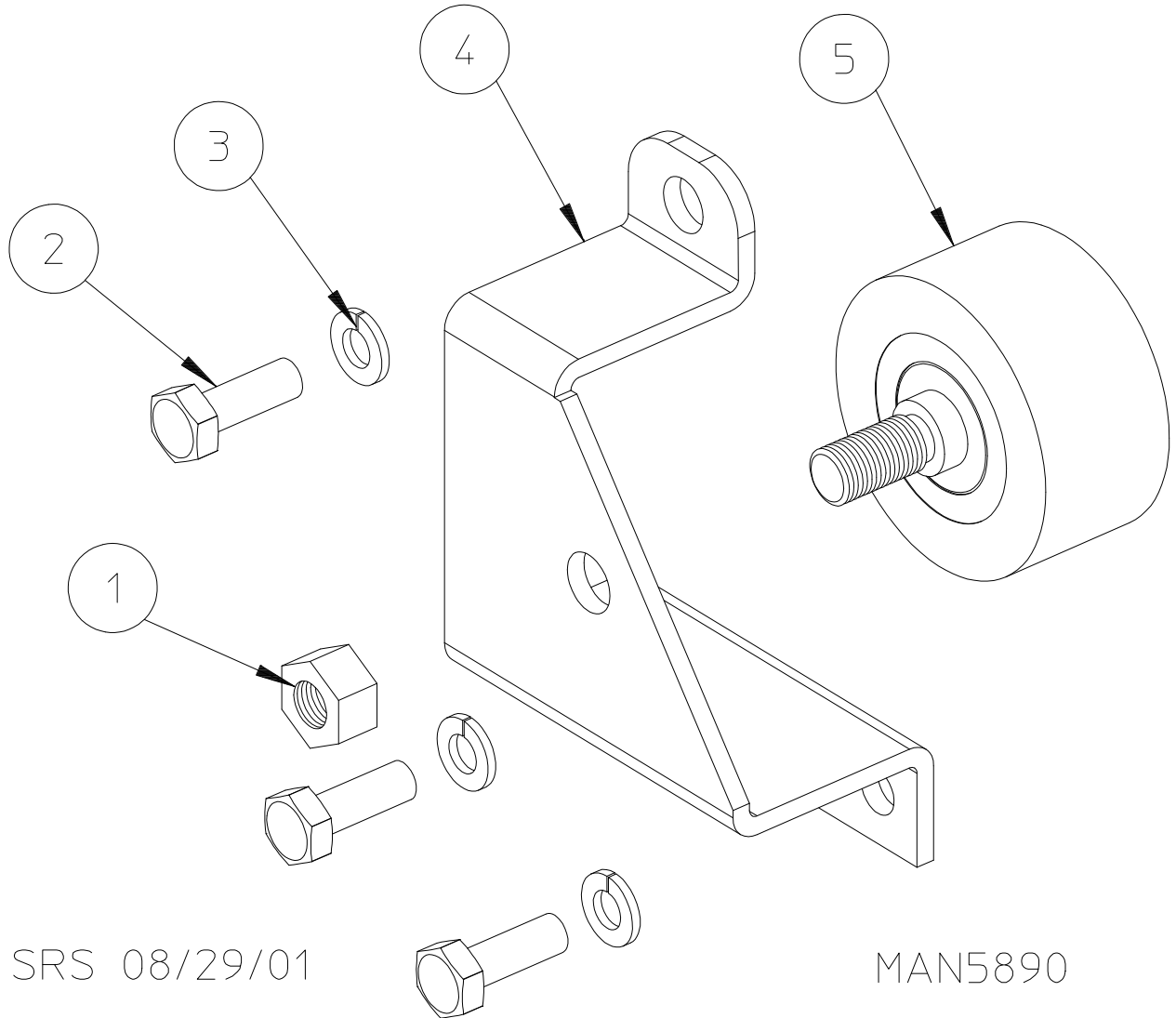
SRS 07/17/00

MAN5379

<u>Illus. No.</u>	<u>Part No.</u>	<u>Qty.</u>	<u>Description</u>
1	150220	2	3/8-24 Hex Nut
2	122002	1	Lint Drawer Switch
3	150309	2	#10-16 x 1/2" Hex Head TEK Crimp Screws
4	882927	1	Lint Coop ONLY
	882716	1	Lint Coop Assembly Complete (includes illus. nos. 1 through 8)
5	152014	4	1/4-20 Free Spin Wash Nut
6	154210	20	5/32" x 3/16" Pop Rivet
7	354067	1	Adjustment Wheel Bracket
	883119	1	Adjustment Wheel Bracket Assembly Complete (includes illus. nos. 1, 7, and 8)
8	180050	2	Thruster Wheel (includes illus. nos. 1 and 8)

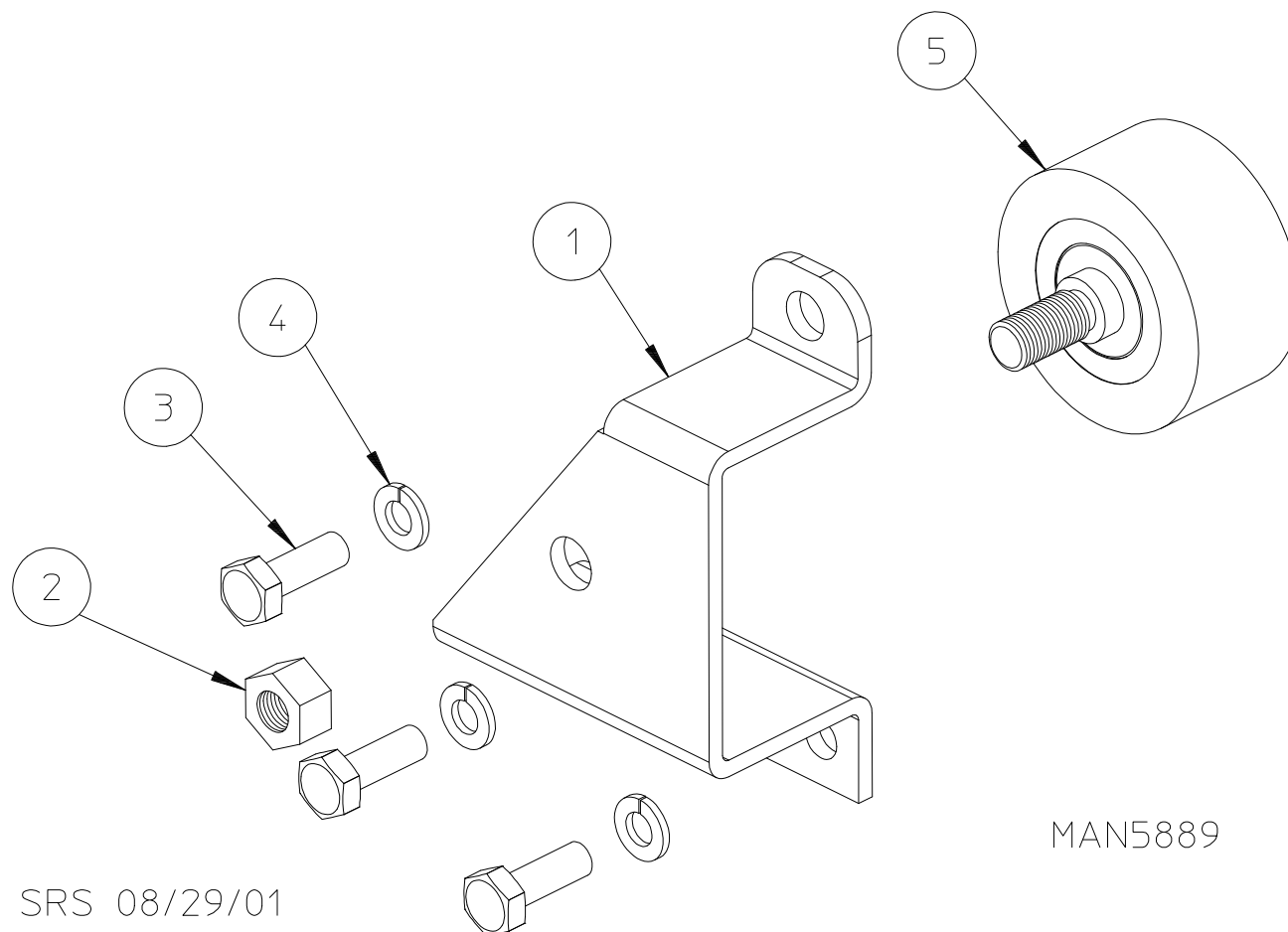


# Left Rear Wheel Bracket (3-Bolt)



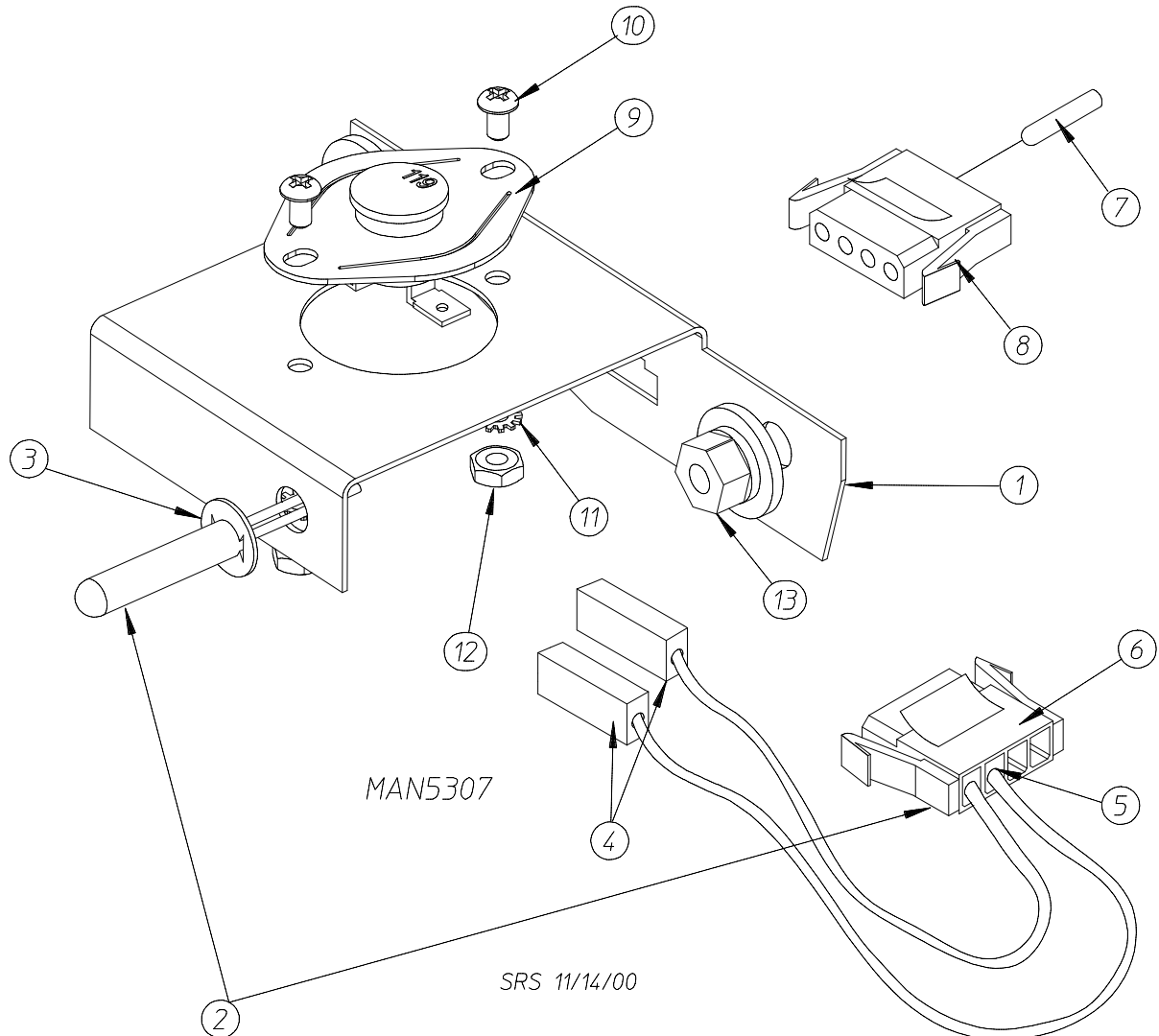
<u>Illus. No.</u>	<u>Part No.</u>	<u>Qty.</u>	<u>Description</u>
1	150220	1	3/8-24 Hex Nut
2	150510	3	1/4-20 x 3/4" Hex Head Machine Bolt
3	153007	3	1/4" Split Lock Washer
4	883004	1	Left Rear Roller Wheel Bracket ONLY (3-bolt)
	884244	1	Left Rear Roller Wheel Bracket Assembly with Hardware (3-bolt)
5	180050	1	Thruster Wheel

## Right Rear Wheel Bracket (3-Bolt)



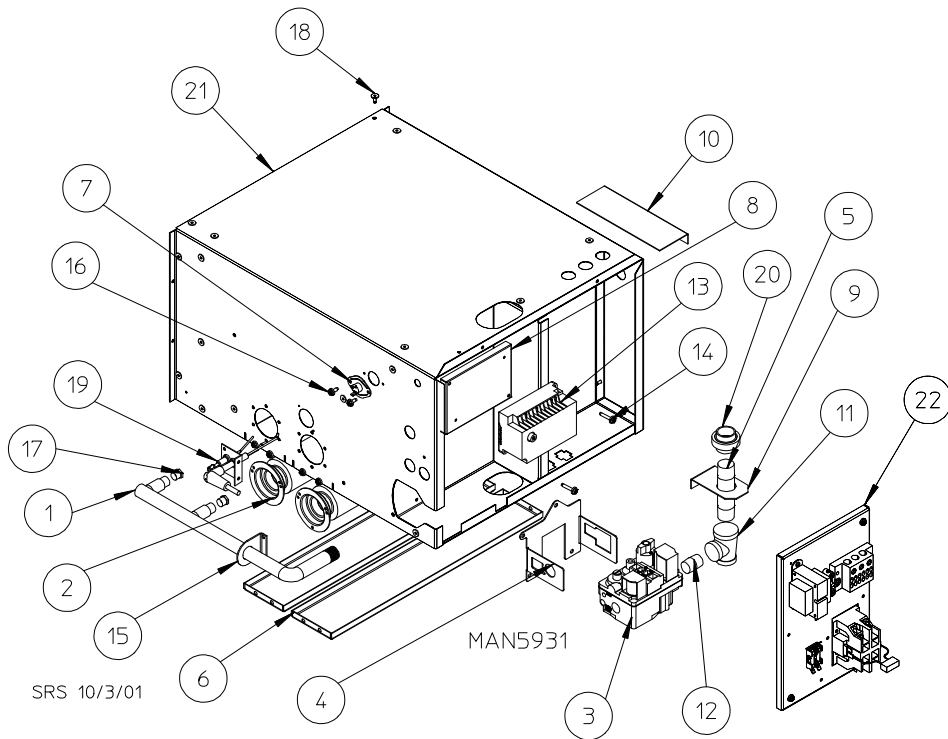
<u>Illus. No.</u>	<u>Part No.</u>	<u>Qty.</u>	<u>Description</u>
1	883005	1	Right Rear Roller Wheel Bracket ONLY (3-bolt)
	884243	1	Right Rear Roller Wheel Bracket Assembly with Hardware (3-bolt)
2	150220	1	3/8-24 Hex Nut
3	150510	3	1/4-20 x 3/4" Hex Head Machine Bolt
4	153007	3	1/4" Split Lock Washer
5	180050	1	Thruster Wheel

# Microprocessor Temperature Sensor Bracket Assembly



<u>Illus. No.</u>	<u>Part No.</u>	<u>Qty.</u>	<u>Description</u>
1	882682	1	Temperature Sensor Bracket Assembly Complete (includes illus. nos. 1 through 6 and 9 through 12)
	354117	1	Sensor Bracket ONLY
2	883025	1	Microprocessor Temperature Sensor Probe Assembly Complete (includes illus. nos. 2 through 6)
3	154007	1	1/4" Push-On Fastener
4	121028	2	1/4" Terminal
5	122701	4	Socket Terminal ONLY
	122801	-	Pins / Socket Extraction Tool
6	122605	1	4-Position Connector (female)
7	122700	4	Pin Terminal ONLY
8	122604	1	4-Position Connector (male)
9	130119	1	190° Automatic Thermostat
10	150005	2	#6-32 x 1/4" Phillips Round Head Machine Screw
11	153010	2	#6 Star Washer
12	152013	2	#6-32 Hex Nut
13	152014	2	1/4-20 Free Spin Wash Nut

# Top Burner Box Assembly

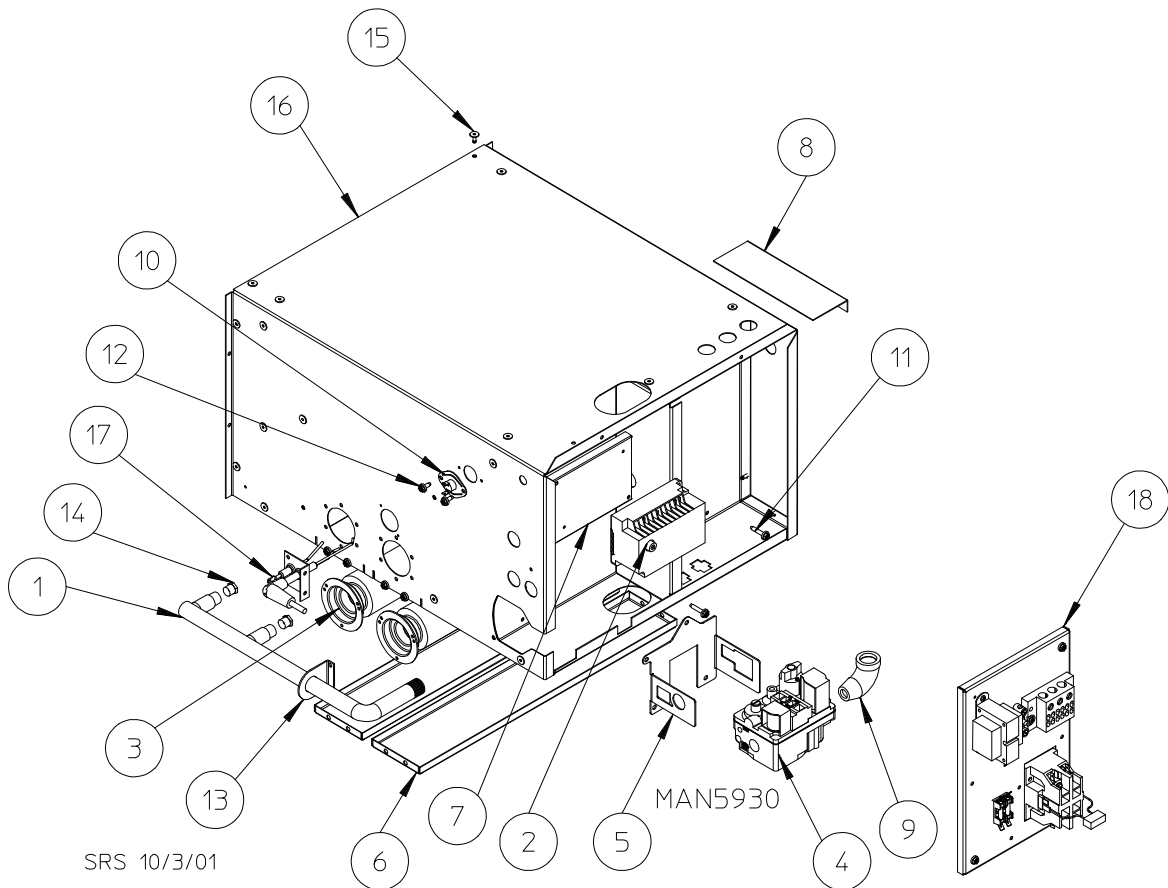


Illus. No.	Part No.	Qty.	Description
1	141138	1	Burner Manifold
2	141137	2	Stainless Steel Burner Tube
3	887274	1	1/2" 24 VAC (natural gas) Gas Valve
	880960	1	1/2" 24 VAC Liquid Propane Gas Valve
	140411	1	1/2" Liquid Propane Conversion Kit (per tumbler)
	883933*	—	Liquid Propane Conversion Kit (includes parts to convert both top and bottom tumbler to liquid propane gas)
4	354141	1	Gas Valve Mounting Bracket
5	142710	1	3/4" x 4" Black Nipple
6	354146	2	Burner Bottom Baffle
7	130400	1	290° Burner Hi-Limit
8	354162	1	Direct Spark Ignition Module Mounting Panel
9	354163	1	Pipe Bracket
10	354170	1	Burner Tube Hood
11	142505	1	3/4" x 1/2" x 1/2" Tee
12	142700	1	1/2" Close Nipple
13	884280	1	Direct Spark Ignition Module with 3 Tries
14	150299	2	#10 x 1" Hex Washer TEK Screw
15	353222	1	Manifold Bracket
16	150300	10	#10-16 x 1/2" Hex Washer TEK Screw
17	140819	2	#30 Burner Orifice (natural gas)
18	154210	30	5/32" x 3/16" Pop Rivet
19	882451	1	Direct Spark Ignition Ignitor / Flame-Probe with High Voltage Wire
20	142601	1	3/4" Black Union
21	882906	1	Burner Box ONLY
	883128**	1	Natural Gas Burner Assembly Complete (less orifice)
22	—	1	Rear Electrical Panel Assembly Complete (refer to Rear Electrical Panel on page 23)

\* Consult factory for elevations over 2,000 feet.

\*\* Burner orifice is not included and must be ordered separately.

# Bottom Burner Box Assembly

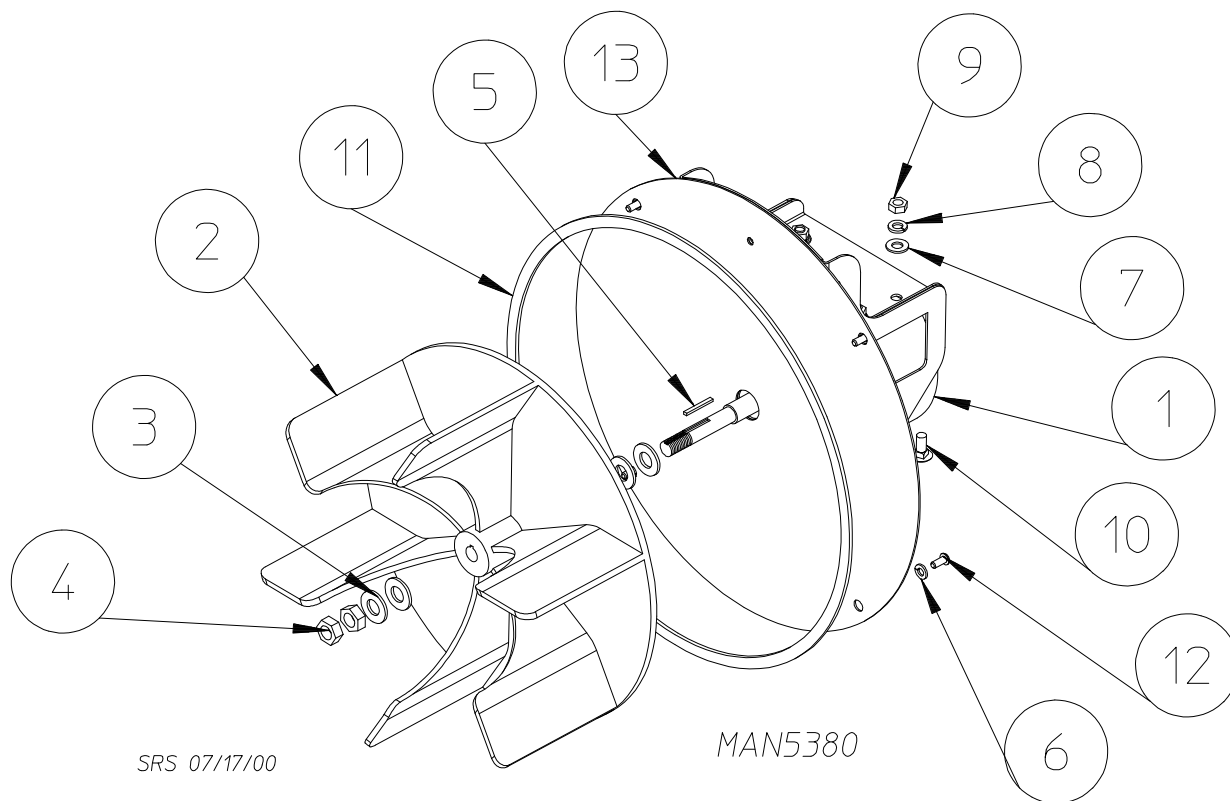


<u>Illus. No.</u>	<u>Part No.</u>	<u>Qty.</u>	<u>Description</u>
1	141138	1	Burner Manifold
2	884280	1	Direct Spark Ignition Module with 3 Tries
3	141137	2	Stainless Steel Burner Tube
4	887274	1	1/2" 24 VAC (natural gas) Gas Valve
	880960	1	1/2" Liquid Propane Gas Valve Conversion Kit (per tumbler)
	140411	1	1/2" Liquid Propane Conversion Kit
	883933*	—	Liquid Propane Conversion Kit (includes parts to convert both top and bottom tumbler to liquid propane gas)
5	354141	1	Gas Valve Mounting Bracket
6	354146	2	Burner Bottom Baffle
7	354162	1	Direct Spark Ignition Module Mounting Panel
8	860093	1	Burner Tube Hood
9	142506	1	1/2" x 1/2" Street Elbow
10	130400	1	290° Burner Hi-Limit
11	150299	2	#10 x 1" Hex Washer TEK Screw
12	150300	10	#10-16 x 1/2" Hex Washer TEK Screw
13	353222	1	Manifold Pipe Bracket
14	140819	2	#30 Burner Orifice (natural gas)
15	154210	30	5/32" x 3/16" Pop Rivet
16	882906	1	Burner Box ONLY
	883127**	1	Natural Gas Burner Assembly Complete (less orifice)
17	—	1	Direct Spark Ignition Ignitor / Flame-Probe with High Voltage Wire
18	882907	1	Rear Electrical Panel Assembly Complete <b>(refer to Rear Electrical Panel on page 23)</b>

\* Consult factory for elevations over 2,000 feet.

\*\* Burner orifice is not included and must be ordered separately.

# Blower Motor Assembly

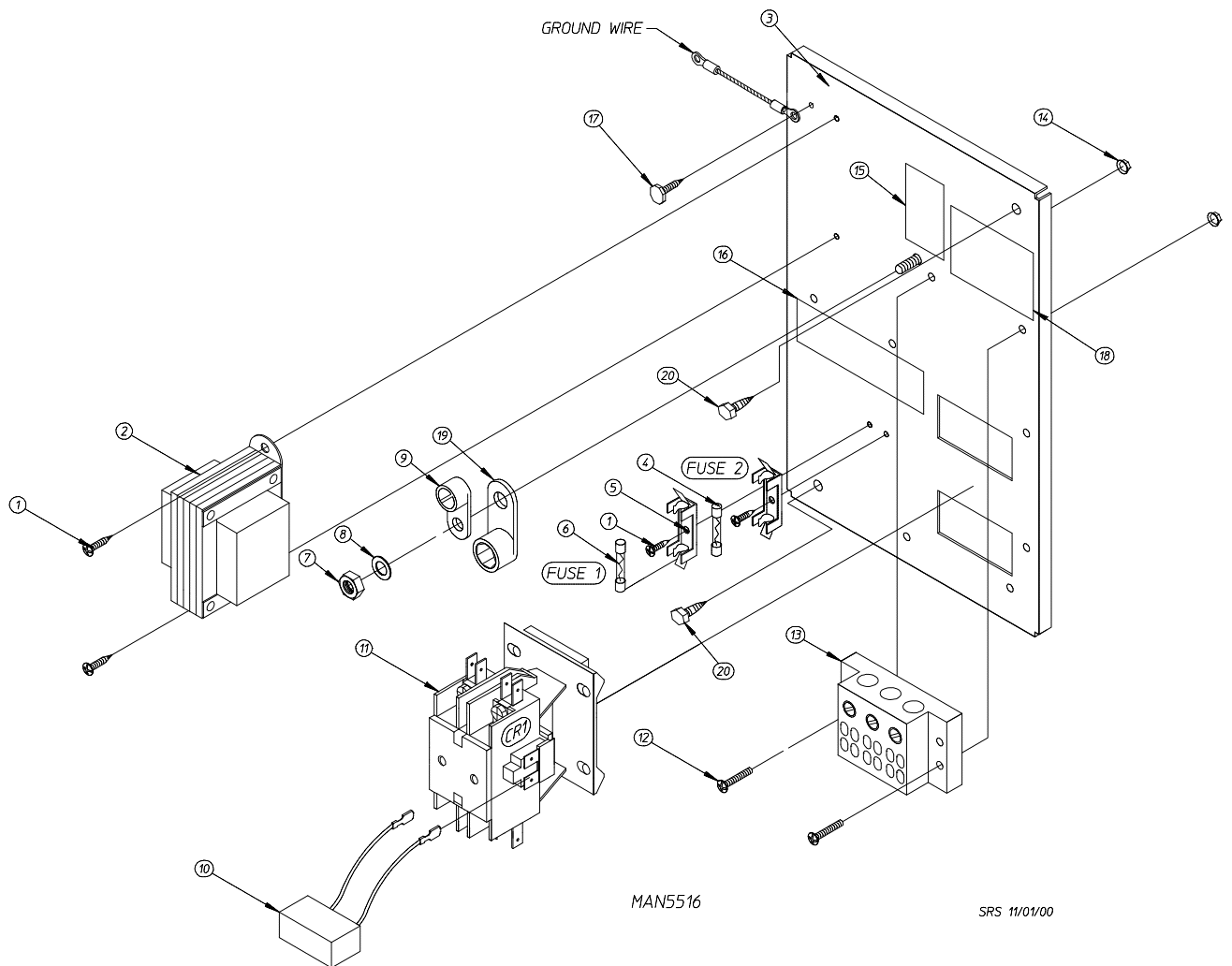


SRS 07/17/00

MAN5380

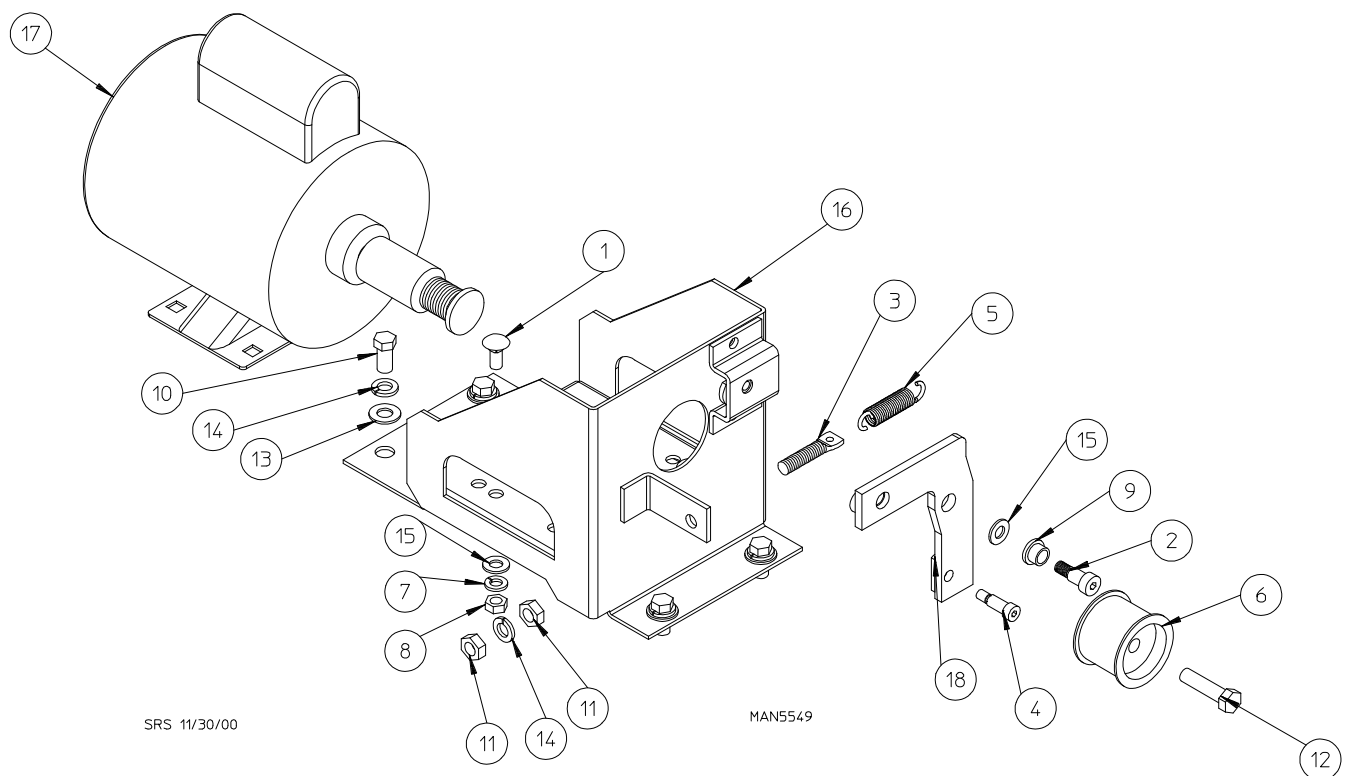
<u>Illus. No.</u>	<u>Part No.</u>	<u>Qty.</u>	<u>Description</u>
1	181038	1	1/4 hp 115/230v/60 Hz Blower Motor
2	802029	1	12-1/2" Riveted Impellor with 1/2" Bore
3	153050	4	1/2" x 1-1/16" Flat Washer
4	152006	2	1/2-20 Left Hand Jam Nut
5	100731	1	1/8" x 3/32" x 1-1/8" Key
6	153007	4	1/4" Split Lock Washer
7	153001	4	5/16" Flat Washer
8	153002	4	5/16" Split Lock Washer
9	152004	4	5/16-18 Hex Nut
10	154279	4	5/16-18 x 3/4" Carriage Bolt
11	117604	4	1/8" x 3/8" Neoprene Sponge Tape (sold by the foot)
12	150111	4	1/4-20 x 1/2" Phillips Round Head Machine Screw
13	884039	1	Blower Motor Mount ONLY
	884040	1	Blower Motor and Mount Assembly Complete (includes illus. nos. 1 through 13)

# Rear Electrical Panel



<u>Illus. No.</u>	<u>Part No.</u>	<u>Qty.</u>	<u>Description</u>
1	150301	4	#8-18 x 7/16" Phillips Pan Head TEK Screw
2	141403	1	Transformer – 24 VAC
	881763	1	Termination Kit
3	882928	1	Rear Electrical Panel with Stud
4	136049	1	3/4-Amp Slo-Blo Fuse (fuse 1)
5	136008	2	Fuse Holder
6	136106	1	2-Amp Slo-Blo Fuse (fuse 2)
7	152002	1	1/4-20 Hex Nut
8	153021	1	1/4" Star Washer
9	121010	1	Ground Lug
10	824828	1	R.C. Network Assembly
11	132498	1	Double-Pole Contactor – 24 VAC
12	150103	2	#8-32 x 3/4" Phillips Round Head Screw
13	120714	1	Quick Connect Power Block
14	151001	2	#8-32 Pal Nut
15	112075	1	"Ground Here" Label
16	112025	1	"Caution" Label
17	150297	1	Green Ground Screw
18	114103	1	"Electric Service Connection" Label
19	121012	1	Ground Lug
20	150299	2	#10 x 1" Hex Washer TEK Screw

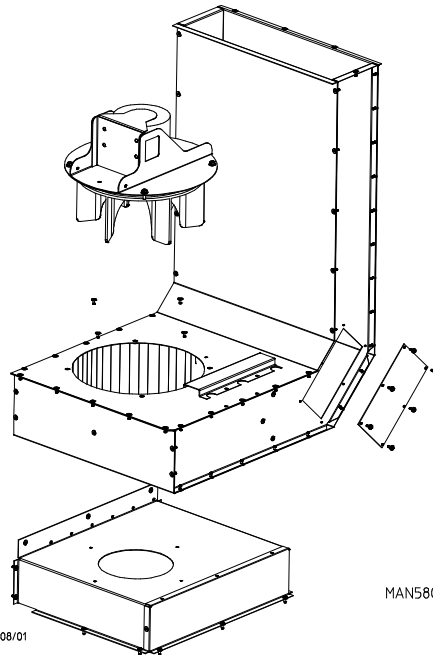
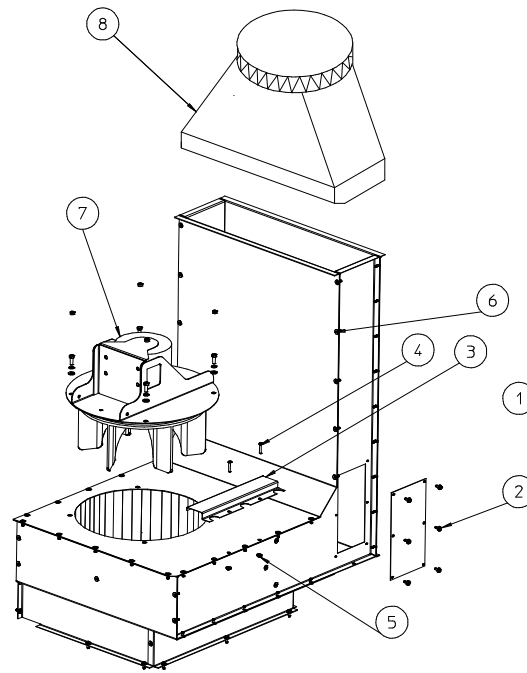
# Drive Motor / Motor Mount Assemblies



<u>Illus. No.</u>	<u>Part No.</u>	<u>Qty.</u>	<u>Description</u>
1	154279	4	5/16-18 x 3/4" Carriage Bolt
2	154277	1	3/8" x 1/2" Shoulder Screw
3	154274	1	3/8-16 x 2" Long Spade Bolt
4	154276	1	1/4-20 x 5/16" x 5/8" Shoulder Bolt
5	157010	1	1-7/8" Extension Spring
6	100250	1	Idler Wheel
7	153002	4	5/16" Split Lock Washer
8	152004	4	5/16-18 Hex Nut
9	121350	1	Bronze Bushing
10	150508	4	3/8-16 x 3/4" Hex Head Machine Bolt
11	152005	2	3/8-16 Hex Nut
12	150600	1	3/8-16 x 1-1/2" Tap Bolt
13	153004	4	3/8" x 1" Flat Washer
14	153005	5	3/8" Split Lock Washer
15	153001	5	5/16" Flat Washer
16	882720	1	Motor Mount ONLY
17	884371	1	Drive Motor and Sheave Assembly ONLY
	883069	1	Drive Motor Sheave with Setscrew
	170733	*	Retaining Compound
18	882767	1	Idler Arm Assembly with Hardware (includes illus. nos. 2, 6 through 10, 16, and 17)
	882929	1	Idler Arm ONLY

\* As required.



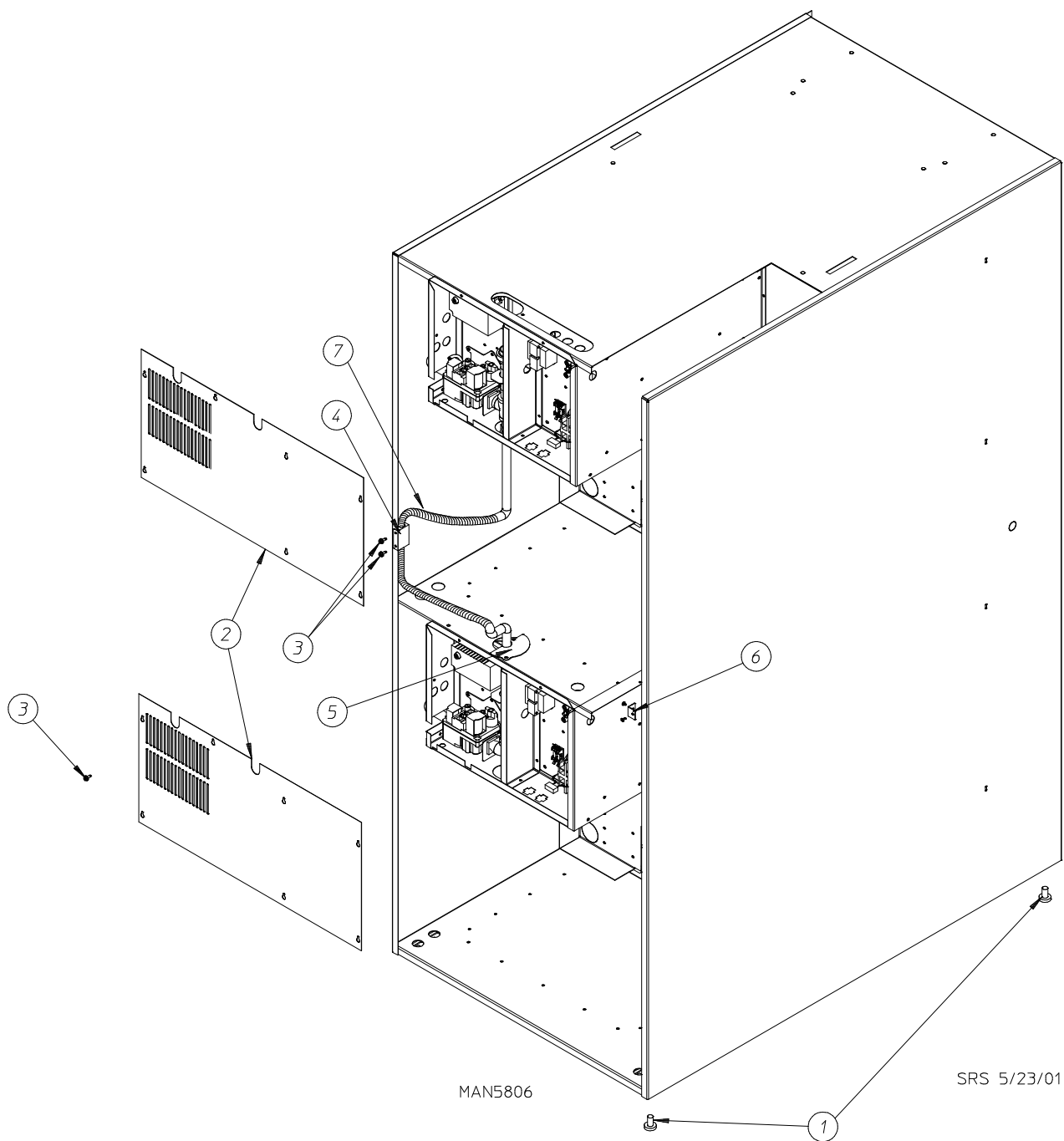


MAN5809

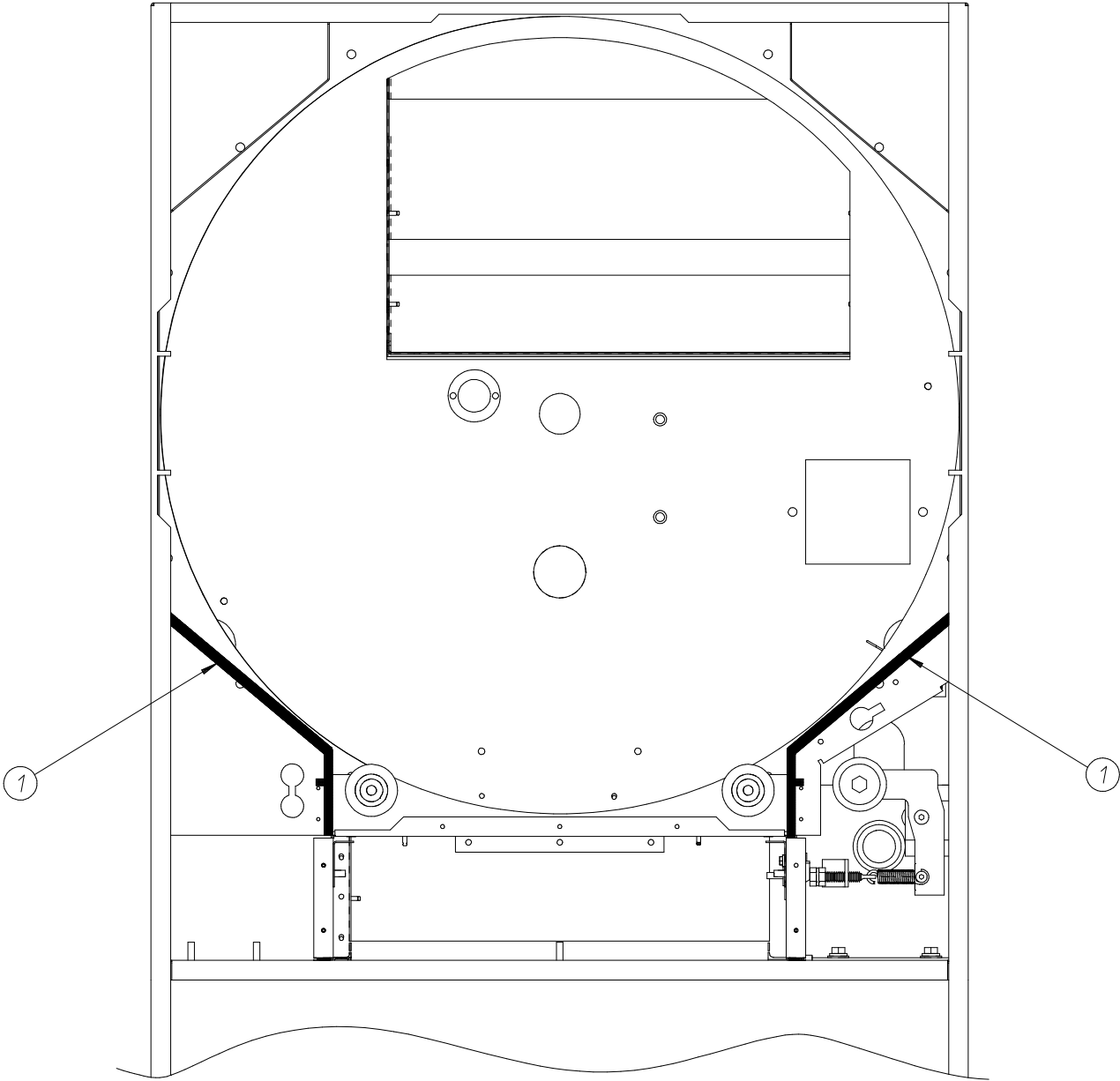
SRS 06/08/01

<u>Illus. No.</u>	<u>Part No.</u>	<u>Qty.</u>	<u>Description</u>
1	354078	2	Exhaust Access Plate
2	150309	12	#10-16 x 1/2" Hex Head TEK Crimptite Screw
3	354171	2	Harness Stiffener
4	150103	4	#8-32 x 3/4" Phillips Round Head Machine Screw
5	151001	4	#8-32 Pal Nut
6	154210	158	5/32" x 3/16" Pop Rivet
7	-----	2	Blower Motor Assembly (refer to <b>Blower Motor Assembly</b> on page 22)
8	143558	1	10" Exhaust Adapter

# Rear Back Guard Assembly



<u>Illus. No.</u>	<u>Part No.</u>	<u>Qty.</u>	<u>Description</u>
1	103500	4	Leveling Leg
2	883070	2	Back Guard Short
3	150300	12	#10-16 x 1/2" TEK Screw
4	883071	1	Top Pocket Flex Gas Line Bracket
5	883160	1	Bottom Pocket Flex Gas Line Pivot Support
6	883073	1	Rear Right Side Panel Support Assembly
7	143118	1	60" Stainless Steel Flex Hose



SRS 05/23/01

MAN5807

<u>Illus. No.</u>	<u>Part No.</u>	<u>Qty.</u>	<u>Description</u>
1	102310	4	Wrapper Gasket (sold by the foot)

